

**CSP42I: STAINLESS STEEL SUPPORT COLUMN FOR WEIGHT INDICATORS SERIES DFW, 3590, TRS**



STAINLESS steel support column suitable for the DFW, 3590, TRS series' indicators. Easy to install and to clean, it can be used in work environments, even harsh ones or with strict hygiene requirements. Adjustable feet, guaranteeing the maximum stability.

**MAIN FEATURES**

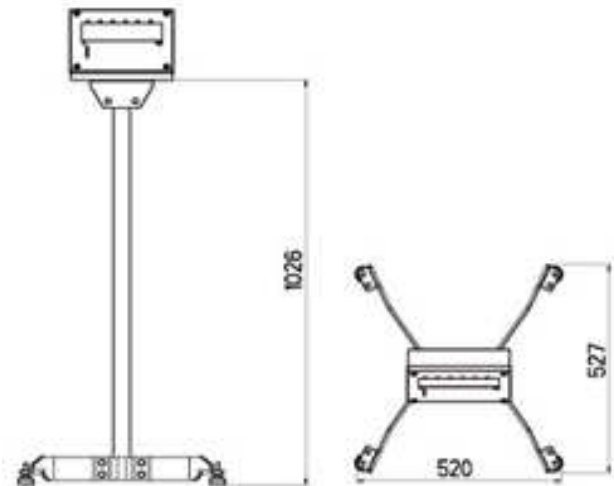
- Satined STAINLESS steel structure (AISI 304).
- Tubular length: 1 m. This tubular allows for the internal passage of the connection cables, protecting these from knocks (the cables are hidden).
- Tubular diameter:  $\varnothing = 42\text{mm}$ .
- Adjustable feet.

**NOTES:**

- The version can be used with just the DFW, 3590, and TRS series' indicators.

**DIMENSIONS IN MM**

- Dimensions: 520 x 527 x 1026 mm.



CSP42I: stainless steel support column for weight indicator.

**AVAILABLE VERSIONS**

Code Description

CSP42I STAINLESS steel support column for the DFW, 3590, TRS series' indicators. Easy to install and to clean. Adjustable feet, guaranteeing the maximum stability.