

## ASSEMBLY KITS FOR DOUBLE SHEAR BEAM LOAD CELLS



Mounting kits for DSBi double shear beam load cells: Accessories suitable for weighing hoppers, tanks, platforms, etc. etc. The special articulation guarantees an excellent measuring accuracy also in the presence of dilatations and/or bending of the weighing structure.

### MAIN FEATURES

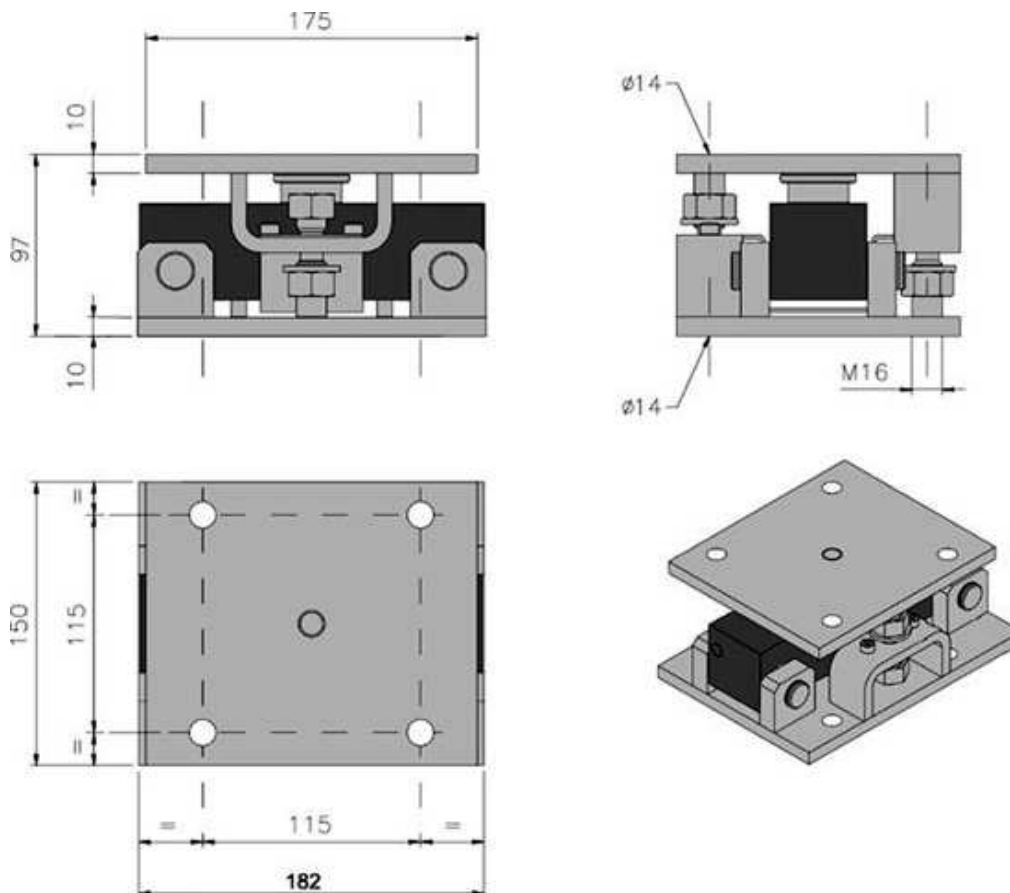
- EXECUTION IN AISI304 STAINLESS STEEL
- GREAT RESISTANCE TO LATERAL FORCES
- OVERTURN-PROOF SCREW JACKS FOR EASY INSTALLMENT AND / OR SUBSTITUTION OF THE LOAD CELL
- OVERTURN-PROOF SAFETY PINS
- SELF-CENTERING CONNECTION SEGMENT BETWEEN LOWER AND UPPER PLATES

### Available versions

Code	Description
KDSBN	Stainless steel assembly kit made up of overturn-proof screw jacks for DSBI load cells up to 30000kg capacity.

### Certification

Code	Description
DCATEXMECH	DECLARATION OF ATEX CONFORMITY OF WHOLE Ex II 2GD SYSTEM with relative WHOLE SYSTEM LABEL, for mechanical structure with ATEX load cells (each cell must be certified with CCATEX option).



KDSBN: dimensions in mm