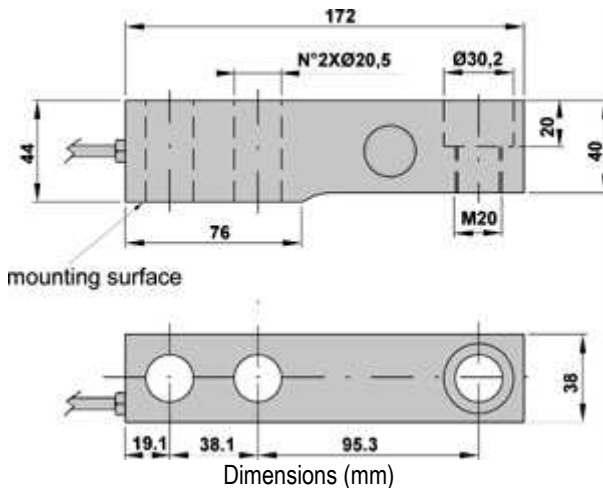


SBK5000-1KL SERIES IP68 STAINLESS STEEL SHEAR BEAM LOAD CELLS



Wiring Code	
Colour	Function
--	SHIELD
WHITE	OUTPUT +
YELLOW	SENSE +
GREEN	INPUT +
RED	OUTPUT -
BLACK	INPUT -
BLUE	SENSE -

Stainless steel shear beam load cells suitable for building, for example, CE-M approved scales with 4 load cells or for weighing tanks and hoppers with the relevant accessories.

MAIN FEATURES

- C3 PRECISION CLASS
- STAINLESS STEEL CONSTRUCTION
- IP68 PROTECTION
- MAX. CAPACITIES FROM 5000 kg
- SHIELDED CONNECTION CABLE
- OIML CERTIFICATE AVAILABLE UPON REQUEST
- TEST CERTIFICATE AVAILABLE UPON REQUEST

TECHNICAL FEATURES

- Minimum load cell verification interval: $V_{min} = E_{Max} / 20.000$
- Maximum number of verification intervals: $n_{LC} = 3000$
- Combined error: 0,023% of Full Scale Output (F.S.)
- Full Scale Output: 2mV/V +/- 0.02
- Temperature effect on zero: 0,0117% /°C
- Temperature effect on full scale output: 0,0088% /°C
- Compensated Temperature Range: -10°C/+40°C
- Operating Temperature Range: -40°C/+80°C
- Creep error after 30 minutes: 0,025% F.S.
- Maximum tolerated excitation voltage: 15 VDC
- **Input Resistance: 1000 ± 50 Ohm**
- **Output Resistance: 1000 ± 10 Ohm**
- Insulation Resistance: >5000 MOhm
- Safe Overload: 150% F.S.
- Ultimate Overload: >300% F.S.
- 6-wire screened cable, 6m long, 5 mm diameter

EXTRAS AVAILABLE (at time of order)

- OIML R60 certificate (without surcharge)
- II 1GD ATEX Certificate for each load cell (with surcharge)
- Declaration of ATEX conformity of the system (for the code see the pages of the atex weight indicators and MB4 atex barrier kit)
- Assembly kits

Models Available

Code	Max Capacity kg	Masterpack 4 pcs
SBK5000-1KL	5000	SBK5000-1KLC

Certification

Code	Description
DCATEXMB4	DECLARATION OF ATEX CONFORMITY OF WHOLE Ex II 2GD IIC T6 T125°C SYSTEM, with relative LABEL OF WHOLE SYSTEM, for NON ATEX weight indicator connected to MB4 Dini Argeo zener barriers, connected to mechanical structure with ATEX load cells (each cell must be certified with CCATEX option).
CCATEX	ATEX certificate for each load cell for the following categories: II 1G EExia IIC T6 (Ta -20+40°C) TX (Ta -20+65°C) II 1D ID A20 TX°C (Ta -20+40°C) TX°C (Ta -20+65°C).

Assembly kits

Code	Description
KSB5	Assembly kit in stainless steel for shear beam load cells from 2500 kg up to 5000 kg